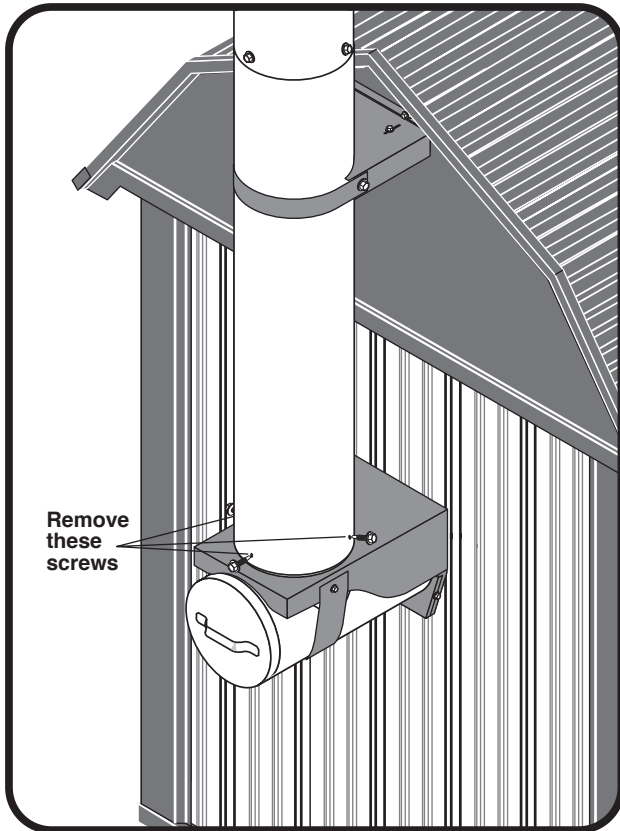




# Chimney Cleaning Easy as 1 - 2 - 3

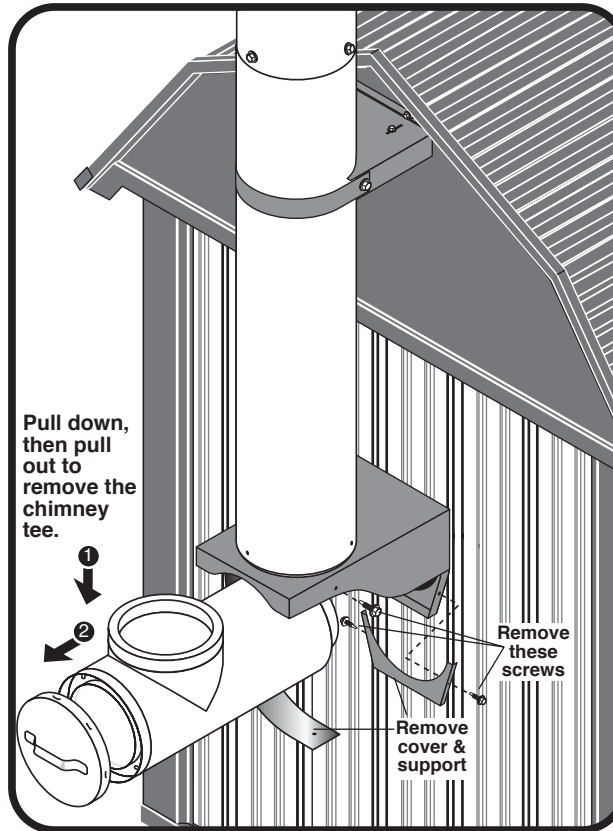
(Instructions for models CL 4436, SCL 5636, CL 5648 and SCL 5648)



# 1

## Loosen Chimney Base

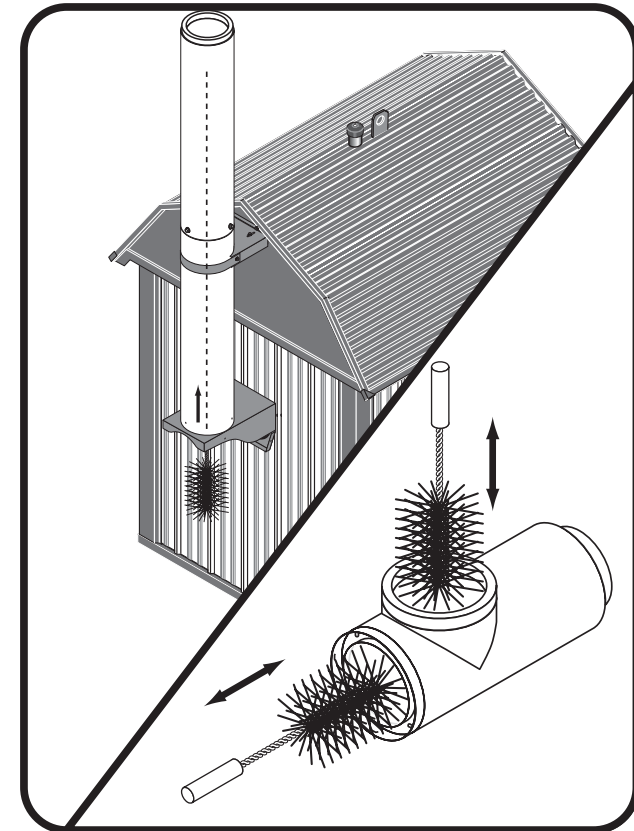
Remove the three screws from the chimney base, leaving it in place.



# 2

## Remove Chimney Tee

Remove the two screws from the rear support cover and remove the cover. Remove the slotted hex screw from one side of the support strap, then carefully remove the chimney tee and the chimney tee cover. Remove screws on the chimney tee cover.



# 3

## Clean

Inspect and if needed clean the opening into the firebox and the firebox itself (replace the rope seal if needed). Inspect and if needed clean the chimney parts using an eight inch chimney brush as shown above. Assemble using all hardware removed during disassembly.